

VARIOMAT M

Metal Dispenser for 1000 ml and 2000 ml Collapsible Bottles



(lockable version)

Description

- dispenser made of metal, casing coated in white (RAL 9016)
- very simple handling and filling
- sturdy design
- optimal dosage
- completely hygienic system as there is no contact between product and dispenser
- lockable version available
- dosing clip (for adjusting the dosage amount) can be ordered separately

Application

Universal dispenser suitable for all skin-protection, skin-cleansing and skin-care products as well as disinfectants in PGP's 1.000 ml and 2.000 ml collapsible bottles.

Attention: Metal dispensers can corrode in wet rooms, so we recommend the use of plastic dispensers in this area.

Dimensions

width: approx. 134 mm, height: approx. 281 mm without lever, height: approx. 316 mm including lever, depth: approx. 128 mm

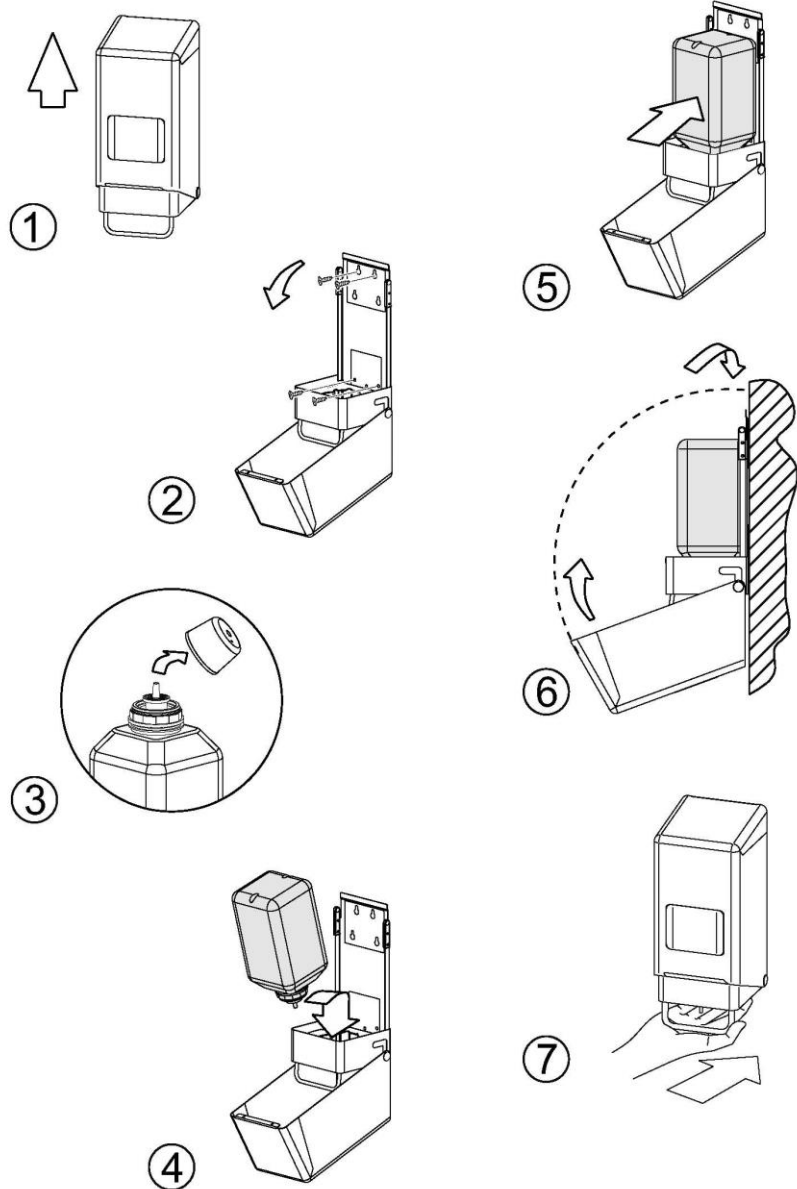
Packaging

The dispenser VARIOMAT M is available as single unit in a cardboard box, incl. wall mounting material.

Ordering data

BSW No. 12938004 VARIOMAT M METAL DISPENSER
BSW No. 12938005 VARIOMAT M METAL DISPENSER, lockable

Mounting and Filling



subject to modifications